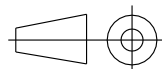
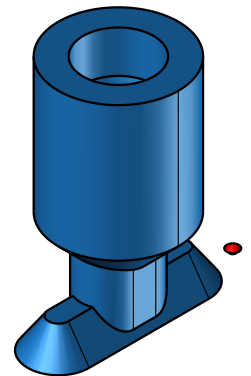
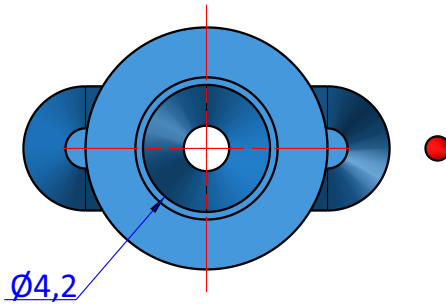
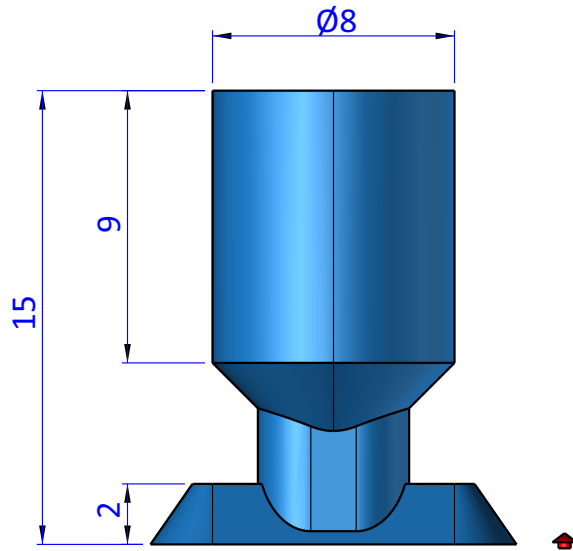
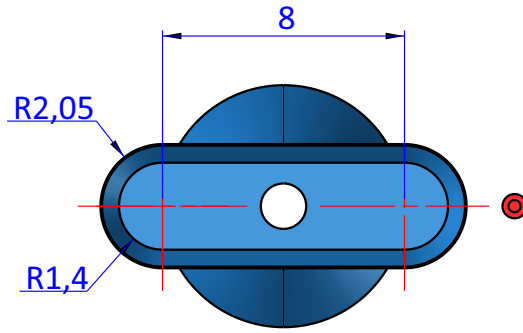


THE PROPERTY OF THE DRAWING IS ESTABLISHED BY LAW. IT IS FORBIDDEN TO PRODUCE OR SHOW IT TO THIRD PART. WITHOUT A WRITTEN AGREEMENT.



DESIGNED FROM	FPS Automation	REVIEW	A
---------------	----------------	--------	---

DATE	06/10/2020	WEIGHT	0,001kg
------	------------	--------	---------

CODE	CA.08.39.001
------	--------------

Format A4

UNI 936-76

GENERAL TOLERANCE

UNI - ISO 2768

CLASSE f

DESCRIPTION

CA.08.39.001